

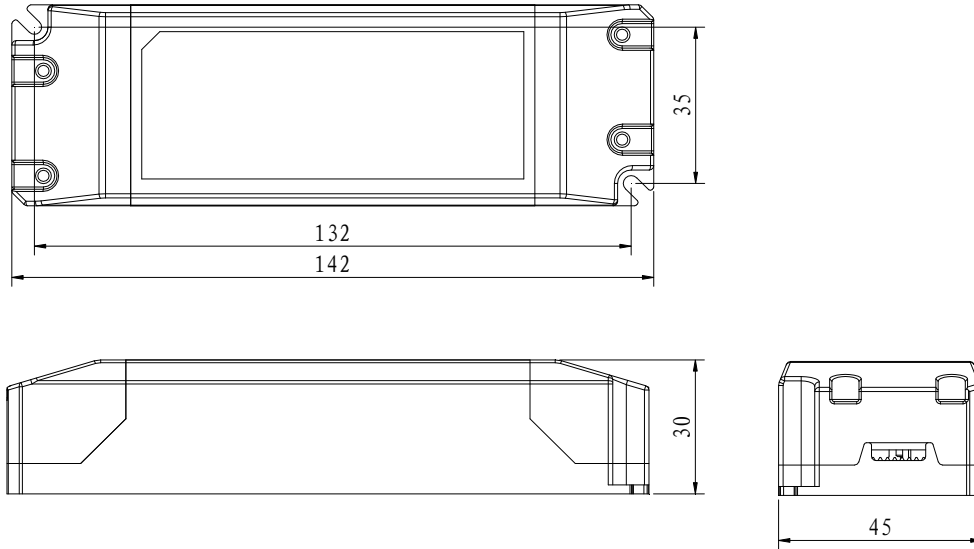
- ▲Input Voltage 220-240VAC
- ▲Protections: short circuit/over load/over voltage
- ▲IP20 Ingress protection
- ▲Power Factor  $\geq 0.95$
- ▲Efficiency  $\geq 86\%$
- ▲Class II, SELV
- ▲Flicker-free design
- ▲5 years warranty



## SPECIFICATION

Input	Rated input voltage	220-240VAC					
	Range of input voltage	176-264VAC					
	Frequency(Hz)	50/60 Hz					
	Power Factor	$\geq 0.95@220-240VAC$					
	Input Current max	0.32A MAX. @Full Load,176VAC					
	Start-up time	<0.5S					
	Unload Power Consumption	$\leq 0.5W$					
	Inrush Current	20A MAX. @Full Load,240VAC					
	Leakage Current	<0.5mA(240VAC)					
Output	Constant Current Note.3	500mA	700mA	1050mA	1200mA	...	1400mA
	Unload voltage Max.	90VDC	63VDC	46VDC	40VDC	...	35VDC
	Voltage Range(VDC)	48-80VDC	34.5-57.5VDC	23-38.5VDC	20-33.5VDC	...	17-29VDC
	Rated load	40W Max.	40.3W Max.	40.4W Max.	40.4W Max.	...	40.6 W Max.
	Current Accuracy	$\pm 5\%$					
	Voltage Regulation	$\leq 3\%$ @Full Load					
	Load Regulation	$\leq 3\%$					
	Hold-up Time	1s max.@Full Load					
	Ripple& Noise Note.2	<30mAp-p	<42mAp-p	<63mAp-p	<72mAp-p	...	<84mAp-p
	Efficiency	$\geq 88\%$	$\geq 88\%$	$\geq 88\%$	$\geq 87\%$	...	$\geq 86\%$
Protection	Over Load Protection	105-120% Protection type: Auto Resume					
	Over Voltage Protection	>90VDC	>63VDC	>46VDC	>39VDC	...	>35VDC
	Short circuit Protection	Protection type: Auto Resume					
Environment	Operating Temperature	-10℃...+45℃					
	tc	85℃					
	Storage Temperature	-20℃...+60℃					
	Humidity	10%-90%RH					
	Life time	>30,000h @45℃					
Others	Dimension	142X45X30(LXWXH)mm					
Safety & EMC	Safety standards	EN 61347-1; EN61347-2-13; EN62493					
	Withstand voltage	Input-Output: 3750V/5mA/1min					
	Isolation resistance	Input-Output: $\geq 4M\Omega@500VDC$					
	EMI	EN55015; EN61000-3-2 Class C; EN61000-3-3					
	EMS	EN 61547;EN 61000-4-2 — Performance Criteria B; EN 61000-4-5 —1000V; Performance Criteria C					
Note	<p>1.All parameters NOT specially mentioned are measured at 240VAC input , rated load and 25℃ of ambient temperature.</p> <p>2.Ripple &amp; Noise are measured at 20MHz of bandwidth by using a 300mm twisted pair-wire terminated with a 0.1uF &amp; 47 uF parallel capacitor.</p> <p>3.Output current can be from 500mA to 1400mA and increasing in multiples of 50mA. Please see Model list below and contact EAGLERISE for details.</p>						

MECHANICAL SPECIFICATIONS



Model list:

No.	Model number	Input			Output			
		Voltage(VAC)	Current (A)	Frequency (Hz)	Constant current (mA)	Normal working voltage (VDC)	No load working voltage (VDC)	P <sub>rated</sub> (W)
1	EDP040C0500L1 EIP040C0500LSL	220-240	0.32	50/60	500	48-80	90	40
2	EDP040C0550L1 EIP040C0550LSL	220-240	0.32	50/60	550	43.5-73	79	40.2
3	EDP040C0600L1 EIP040C0600LSL	220-240	0.32	50/60	600	40-67	75	40.2
4	EDP040C0650L1 EIP040C0650LSL	220-240	0.32	50/60	650	37-62	70	40.3
5	EDP040C0700L1 EIP040C0700LSL	220-240	0.32	50/60	700	34.5-57.5	63	40.3
6	EDP040C0750L1 EIP040C0750LSL	220-240	0.32	50/60	750	32-53.5	61	40.1
7	EDP040C0800L1 EIP040C0800LSL	220-240	0.32	50/60	800	30-50	58	40
8	EDP040C0850L1 EIP040C0850LSL	220-240	0.32	50/60	850	28.5-47.5	55	40.4
9	EDP040C0900L1 EIP040C0900LSL	220-240	0.32	50/60	900	26.5-44.5	50	40.1
10	EDP040C0950L1 EIP040C0950LSL	220-240	0.32	50/60	950	25.5-42.5	50	40.4
11	EDP040C1000L1 EIP040C1000LSL	220-240	0.32	50/60	1000	24-40	48	40
12	EDP040C1050L1 EIP040C1050LSL	220-240	0.32	50/60	1050	23-38.5	46	40.4
13	EDP040C1100L1 EIP040C1100LSL	220-240	0.32	50/60	1100	21.5-36.5	45	40.2
14	EDP040C1150L1 EIP040C1150LSL	220-240	0.32	50/60	1150	21-35	42	40.3
15	EDP040C1200L1 EIP040C1200LSL	220-240	0.32	50/60	1200	20-33.5	40	40.2
16	EDP040C1250L1 EIP040C1250LSL	220-240	0.32	50/60	1250	19-32	39	40
17	EDP040C1300L1 EIP040C1300LSL	220-240	0.32	50/60	1300	18.5-31	38	40.3
18	EDP040C1350L1 EIP040C1350LSL	220-240	0.32	50/60	1350	18-30	35	40.5
19	EDP040C1400L1 EIP040C1400LSL	220-240	0.32	50/60	1400	17-29	35	40.6

**DESCRIPTIONS OF CHANGE**

变更项目 ITEM	变更前 BEFORE	变更后 AFTER	版本 VERSION	变更日期 DATE